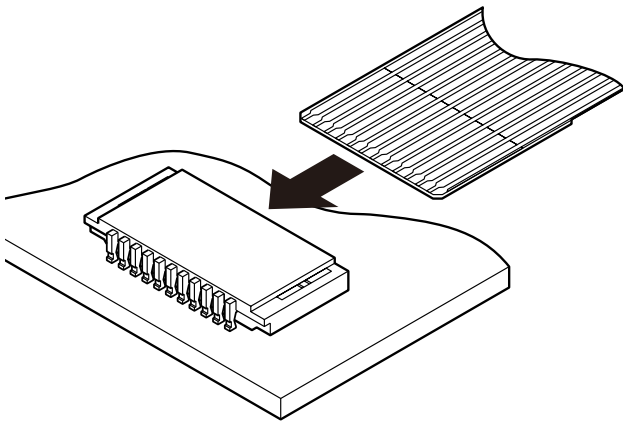


# FHJ CONNECTOR

0.5mm pitch/Connectors for FPC



**Non-ZIF type low profile of 1.2mm mounting height. 0.3mm thick standard type FPC is applicable.**

- Compact mounting space
- Heat resisting design suitable for surface mounting

## Specifications

- Current rating: 0.5A AC, DC
- Voltage rating: 50V AC, DC
- Temperature range: -25°C to +85°C  
(including temperature rise in applying electrical current)
- Contact resistance: Initial value/40m Ω max.  
After environmental testing/20m Ω max.  
(variation from initial value)
- Insulation resistance: 500M Ω min.
- Withstanding voltage: 200V AC/minute
- Applicable FPC: Conductor pitch/0.5mm  
Conductor width/0.35mm  
Mating part thickness/0.3±0.05mm

*Note: FPC to be actually used should be checked for applicability.*

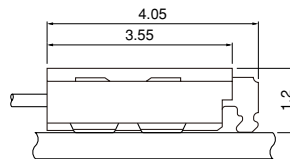
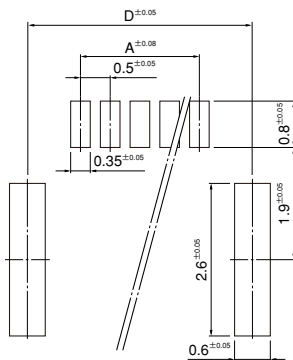
- \* Compliant with RoHS.
- \* Refer to "General Instruction and Notice when using Terminals and Connectors" at the end of this catalog.
- \* Contact JST for details.

## Standards

Recognized E60389

Certified LR20812

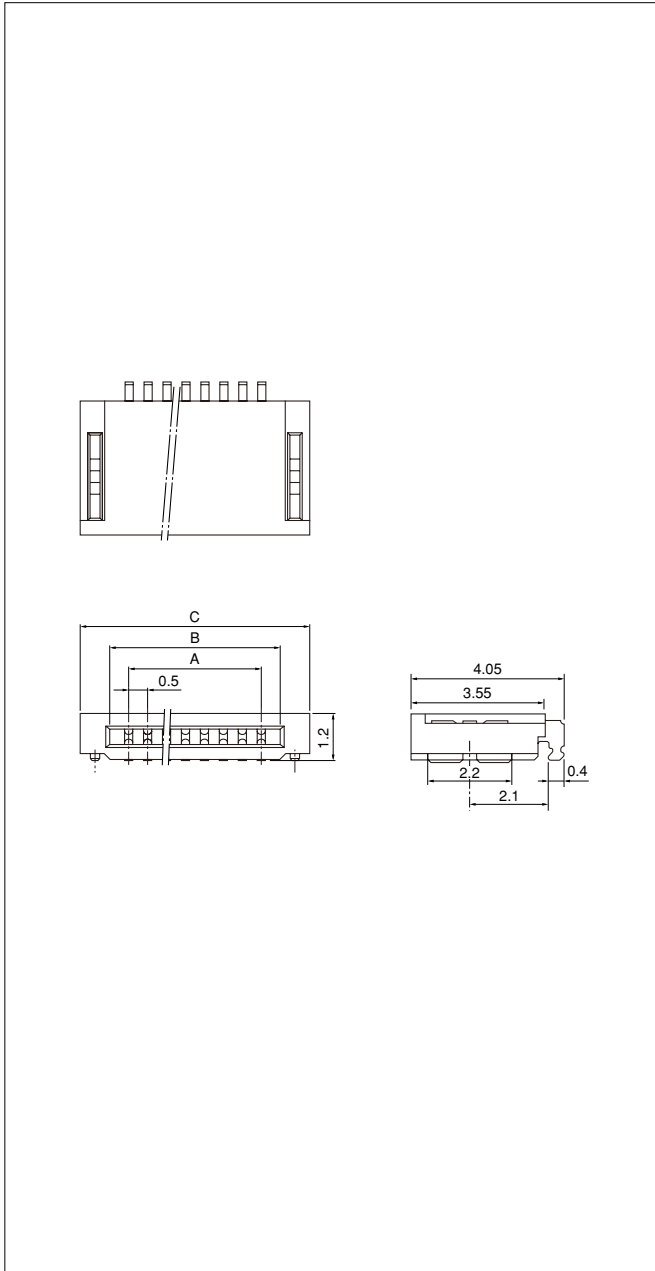
### PC board layout (viewed from component side) and Assembly layout



- Note: 1. Tolerances are non-cumulative: ±0.08mm for all centers.  
2. The dimensions above should serve as a guide line. Contact JST for details.*

# FHJ CONNECTOR

## Connector



### Gold-plated product

| Circuits | Model No.        | Dimensions (mm) |      |      |      | Q'ty / reel |
|----------|------------------|-----------------|------|------|------|-------------|
|          |                  | A               | B    | C    | D    |             |
| 4        | 04FHJ-SM1-GAN-TB | 1.5             | 2.5  | 4.1  | 3.3  | 4,000       |
| 5        | 05FHJ-SM1-GAN-TB | 2.0             | 3.0  | 4.6  | 3.8  | 4,000       |
| 6        | 06FHJ-SM1-GAN-TB | 2.5             | 3.5  | 5.1  | 4.3  | 4,000       |
| 7        | 07FHJ-SM1-GAN-TB | 3.0             | 4.0  | 5.6  | 4.8  | 4,000       |
| 8        | 08FHJ-SM1-GAN-TB | 3.5             | 4.5  | 6.1  | 5.3  | 4,000       |
| 9        | 09FHJ-SM1-GAN-TB | 4.0             | 5.0  | 6.6  | 5.8  | 4,000       |
| 10       | 10FHJ-SM1-GAN-TB | 4.5             | 5.5  | 7.1  | 6.3  | 4,000       |
| 11       | 11FHJ-SM1-GAN-TB | 5.0             | 6.0  | 7.6  | 6.8  | 4,000       |
| 12       | 12FHJ-SM1-GAN-TB | 5.5             | 6.5  | 8.1  | 7.3  | 4,000       |
| 13       | 13FHJ-SM1-GAN-TB | 6.0             | 7.0  | 8.6  | 7.8  | 4,000       |
| 14       | 14FHJ-SM1-GAN-TB | 6.5             | 7.5  | 9.1  | 8.3  | 4,000       |
| 16       | 16FHJ-SM1-GAN-TB | 7.5             | 8.5  | 10.1 | 9.3  | 4,000       |
| 18       | 18FHJ-SM1-GAN-TB | 8.5             | 9.5  | 11.1 | 10.3 | 4,000       |
| 20       | 20FHJ-SM1-GAN-TB | 9.5             | 10.5 | 12.1 | 11.3 | 4,000       |
| 21       | 21FHJ-SM1-GAN-TB | 10.0            | 11.0 | 12.6 | 11.8 | 4,000       |
| 24       | 24FHJ-SM1-GAN-TB | 11.5            | 12.5 | 14.1 | 13.3 | 4,000       |

### Material and Finish

Contact: Copper alloy, nickel-undercoated, gold-plated (nickel-stripe)  
Housing: Heat resisting resin, UL94V-0, natural  
Reinforcement: Copper alloy, copper-undercoated, tin-plated (reflow treatment)

**RoHS compliance** This product displays (LF)(SN) on a label.

### Tin-plated product

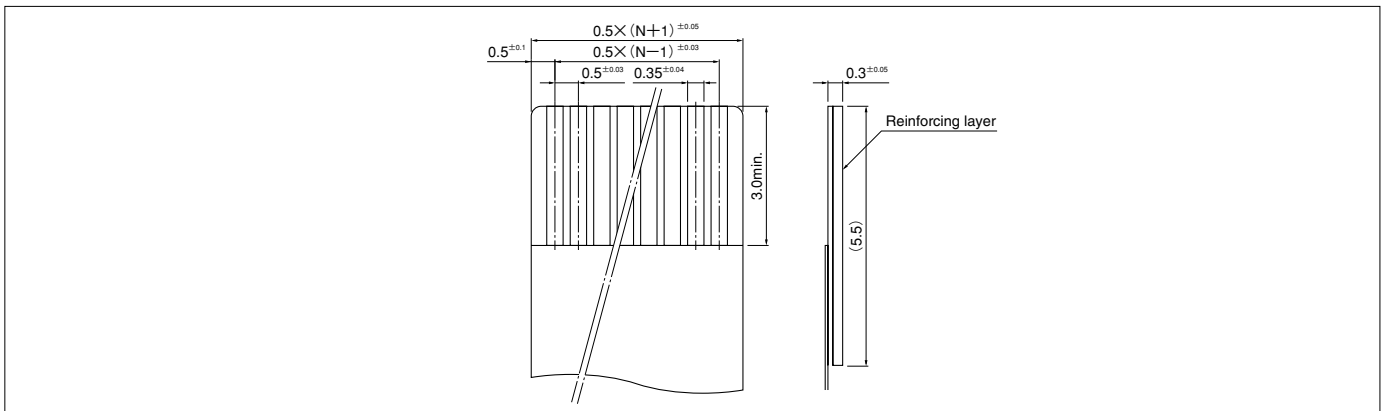
| Circuits | Model No.    | Dimensions (mm) |      |      |      | Q'ty / reel |
|----------|--------------|-----------------|------|------|------|-------------|
|          |              | A               | B    | C    | D    |             |
| 4        | 04FHJ-SM1-TB | 1.5             | 2.5  | 4.1  | 3.3  | 4,000       |
| 5        | 05FHJ-SM1-TB | 2.0             | 3.0  | 4.6  | 3.8  | 4,000       |
| 6        | 06FHJ-SM1-TB | 2.5             | 3.5  | 5.1  | 4.3  | 4,000       |
| 7        | 07FHJ-SM1-TB | 3.0             | 4.0  | 5.6  | 4.8  | 4,000       |
| 8        | 08FHJ-SM1-TB | 3.5             | 4.5  | 6.1  | 5.3  | 4,000       |
| 9        | 09FHJ-SM1-TB | 4.0             | 5.0  | 6.6  | 5.8  | 4,000       |
| 10       | 10FHJ-SM1-TB | 4.5             | 5.5  | 7.1  | 6.3  | 4,000       |
| 11       | 11FHJ-SM1-TB | 5.0             | 6.0  | 7.6  | 6.8  | 4,000       |
| 12       | 12FHJ-SM1-TB | 5.5             | 6.5  | 8.1  | 7.3  | 4,000       |
| 13       | 13FHJ-SM1-TB | 6.0             | 7.0  | 8.6  | 7.8  | 4,000       |
| 14       | 14FHJ-SM1-TB | 6.5             | 7.5  | 9.1  | 8.3  | 4,000       |
| 16       | 16FHJ-SM1-TB | 7.5             | 8.5  | 10.1 | 9.3  | 4,000       |
| 18       | 18FHJ-SM1-TB | 8.5             | 9.5  | 11.1 | 10.3 | 4,000       |
| 20       | 20FHJ-SM1-TB | 9.5             | 10.5 | 12.1 | 11.3 | 4,000       |
| 21       | 21FHJ-SM1-TB | 10.0            | 11.0 | 12.6 | 11.8 | 4,000       |
| 24       | 24FHJ-SM1-TB | 11.5            | 12.5 | 14.1 | 13.3 | 4,000       |

### Material and Finish

Contact: Copper alloy, copper-undercoated, tin-plated (reflow treatment)  
Housing: LCP, UL94V-0  
Solder tab: Copper alloy, copper-undercoated, tin-plated (reflow treatment)

**RoHS compliance** This product displays (LF)(SN) on a label.

## Lead section dimensions of FPC



Note: N --- Number of circuits